

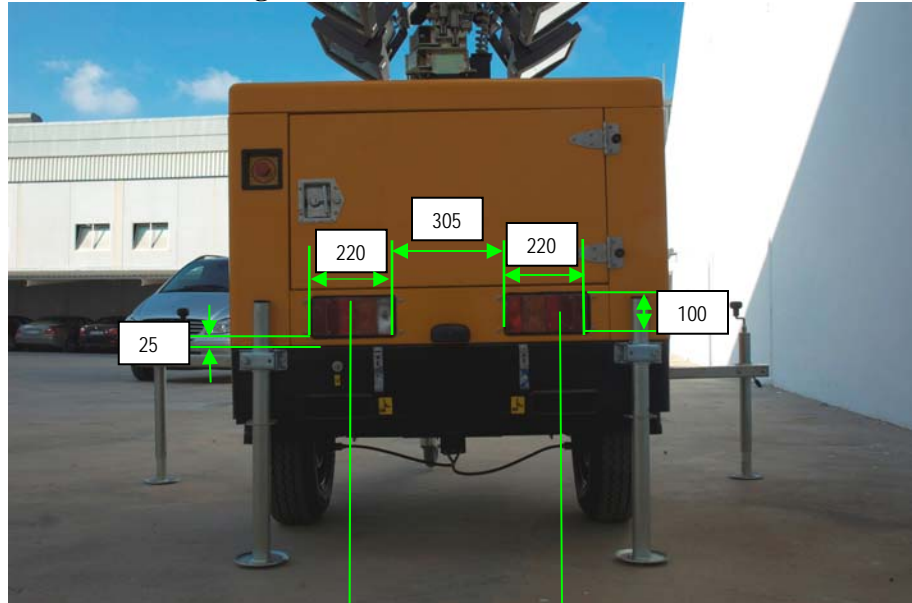
LT9 LIGHTING TOWER **TRAILER INFORMATION/CERTIFICATION**

TOTAL DRY WEIGHT: 950 Kg
TOTAL WEIGHT WITH LIQUID: 1050 Kg



2. LIGHT AND REFLECTORS POSITION.

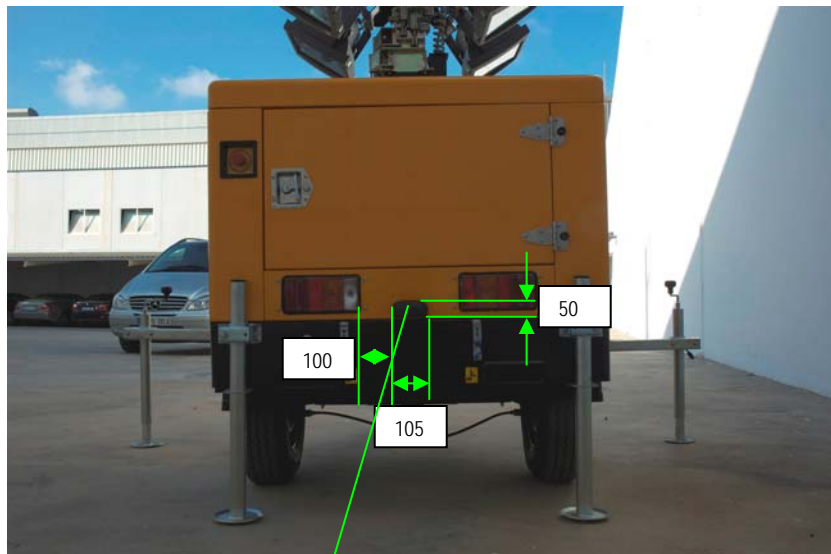
Rear lights – Tower has 2 light clusters on the back.



Left
hand
light
cluster

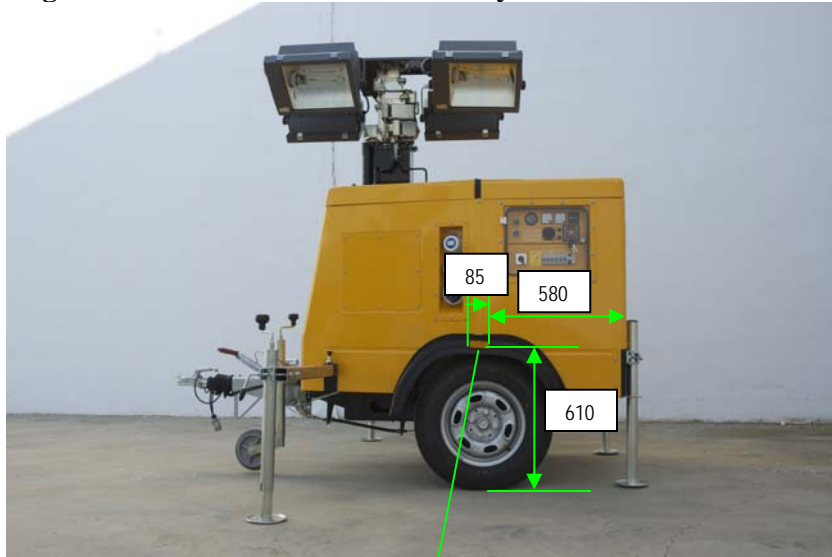
Right
hand
light
cluster

Vehicle license plate light - The lighting tower has one vehicle Licence plate light per unit.



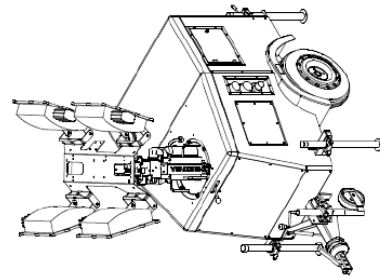
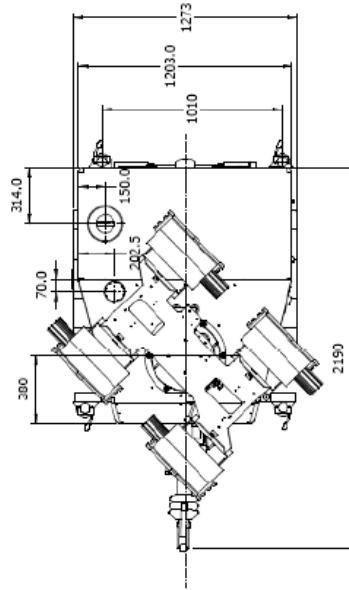
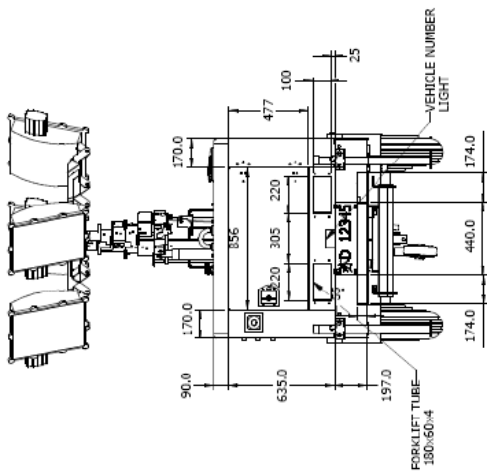
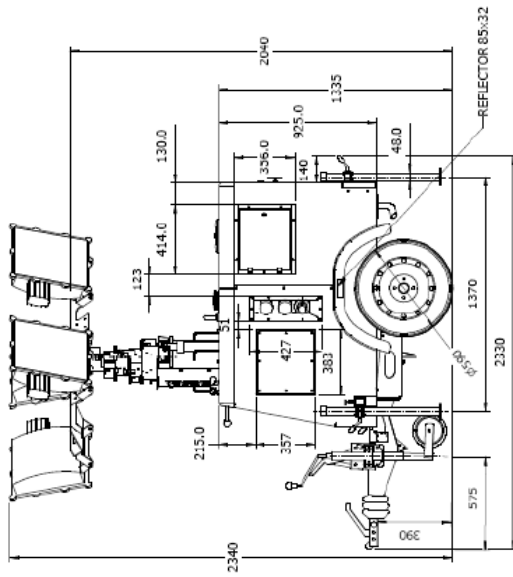
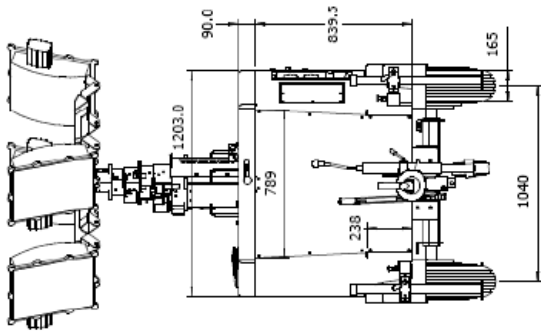
License plate light

Reflectors – the light tower has one reflector on every side wheel house.



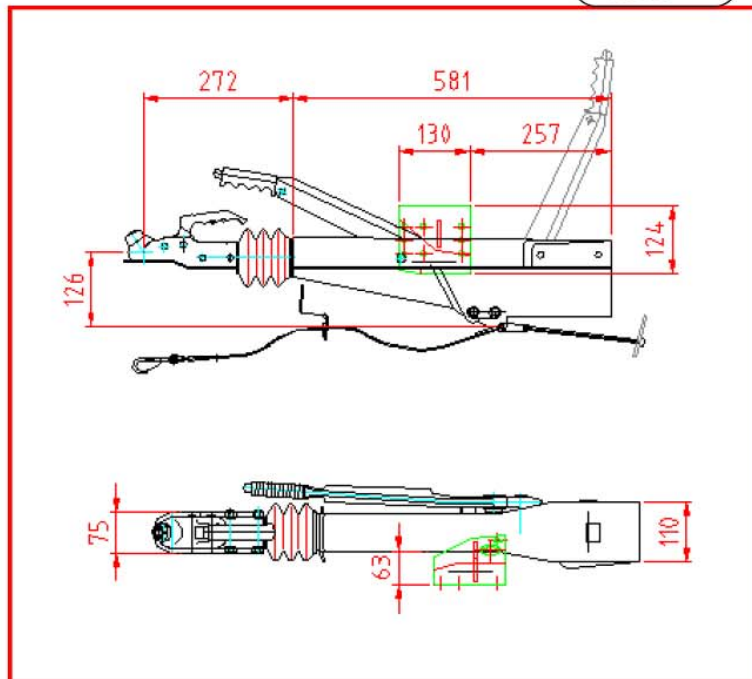
Wheel Arch reflector.

LT9 Dimensional drawings



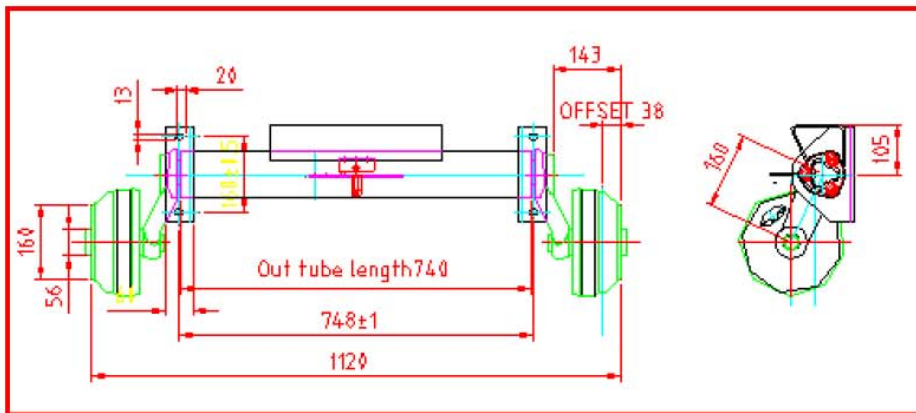
4. TRAILER DETAILS

- 1) AL-KO OVERRUN DETAILS
- OVERRUN TYPE: 161S 247685
 - DRAW LOAD: 950-1600 Kg
 - COUPLING LOAD: 100 Kg
 - COUPLING TYPE: AK160

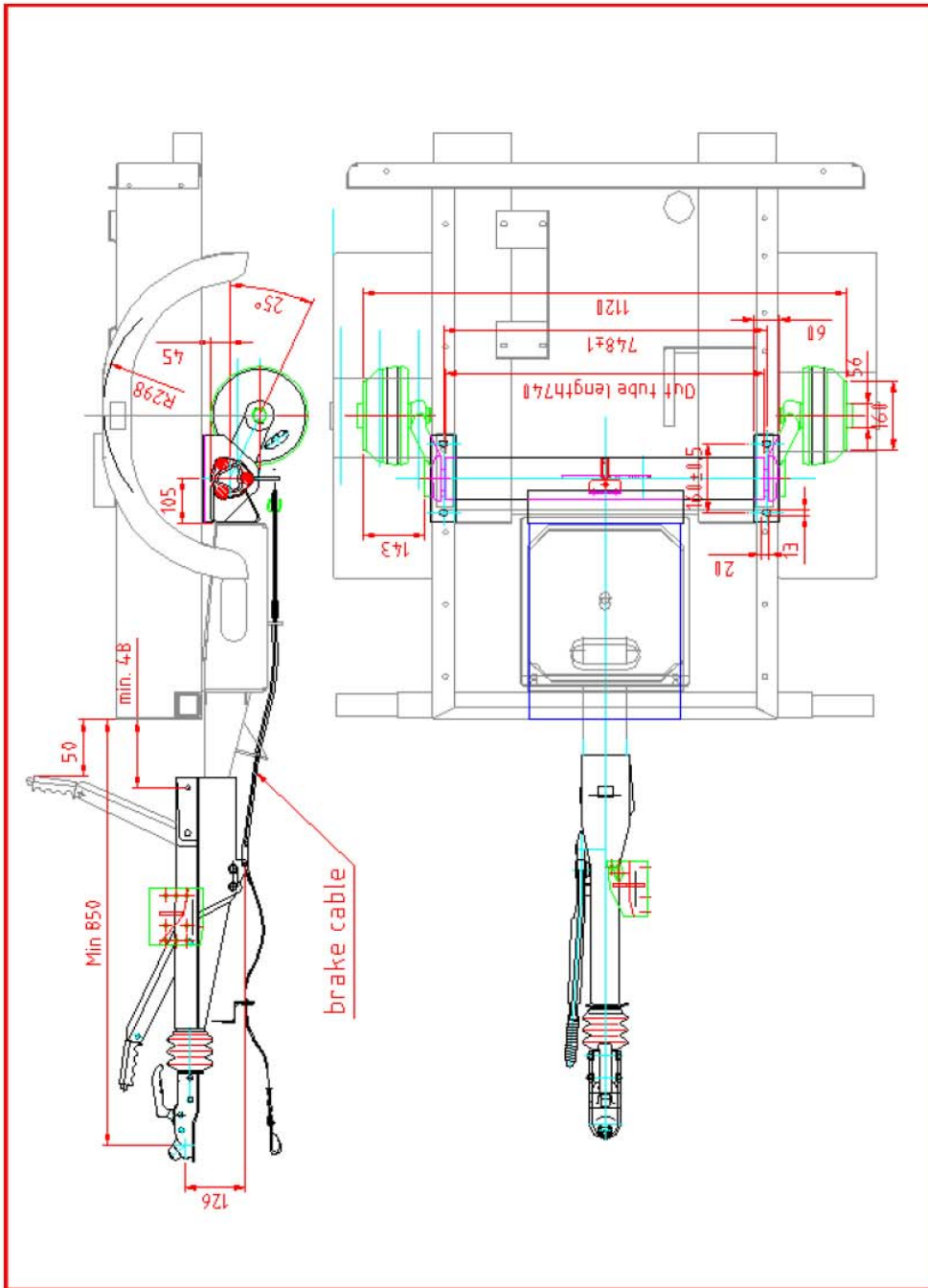


2) AL-KO AXLE DETAILS

- AXLE TYPE: B 1200 - 3 1208083
- LOAD: 1200 Kg
- BRAKE TYPE: 2051 Ausf. A



3) TRAILER GENERAL DETAILS



5. TIRE DETAILS

- **TYPE: 165R13**
- **DIAMETER: 330mm (13 inch)**
- **WIDTH: 165 mm**
- **MAXIMUM LOAD: 670 Kg**

◇ RING DETAILS

- ◇ **SIZE: 5 1/2J * 13**
- ◇ **CB: \varnothing 60**
- ◇ **BOLTS: 4- \varnothing 15**
- ◇ **PCD: \varnothing 100**
- ◇ **ET: 38**